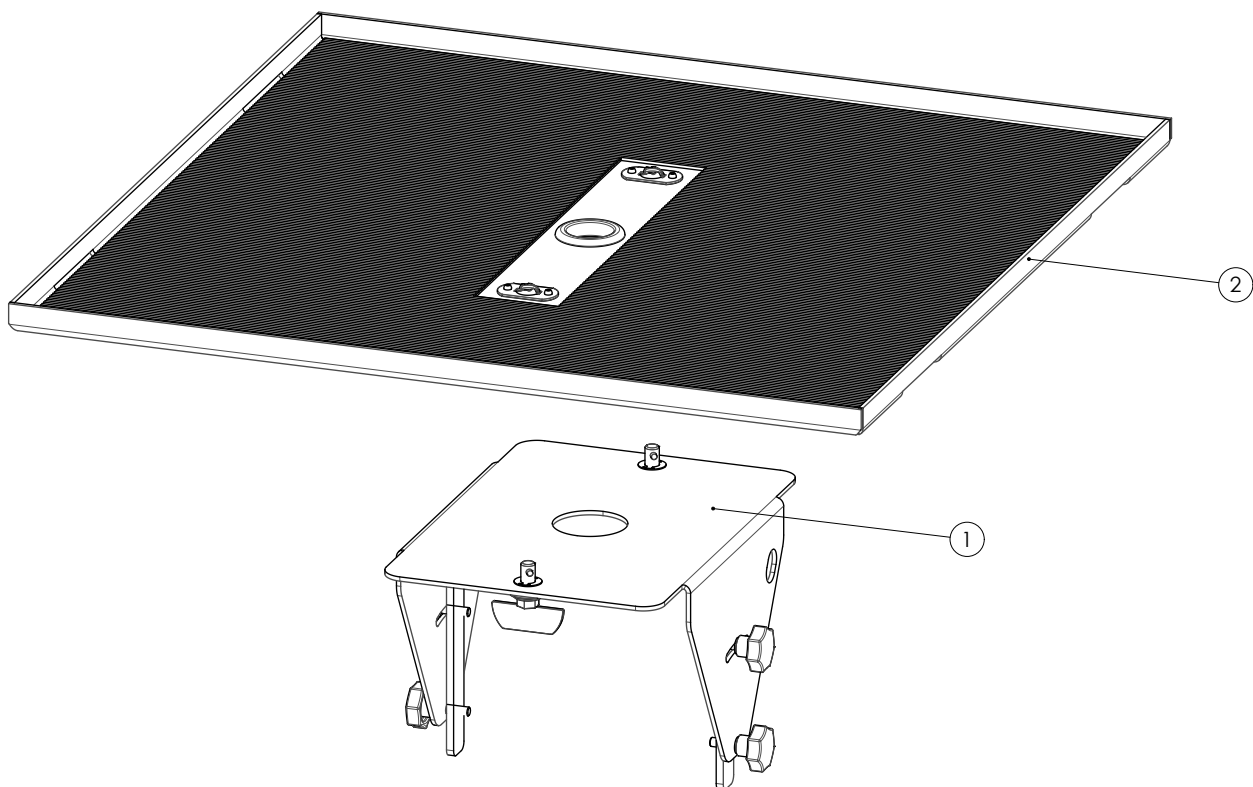


063.0150 Tilttable projector platform for 062.2000



MOUNTING INSTRUCTIONS

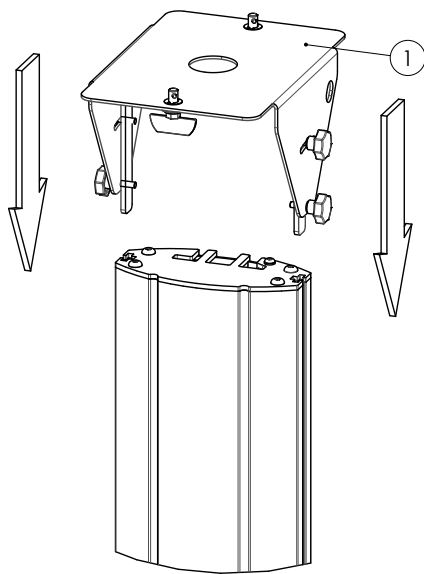
MOUNTING INSTRUCTIONS



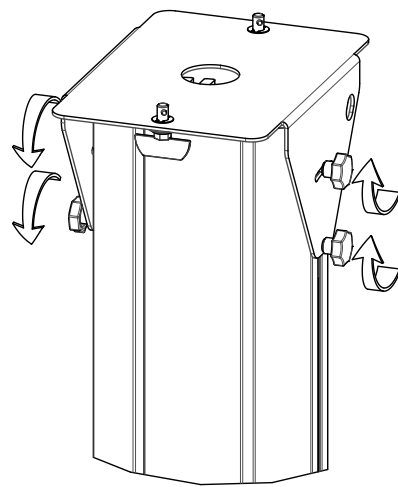
MOUNTING INSTRUCTIONS

MOUNTING INSTRUCTIONS

01

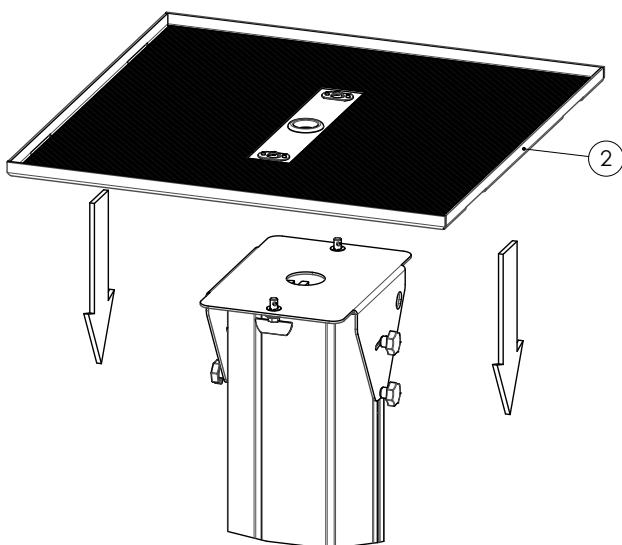


02

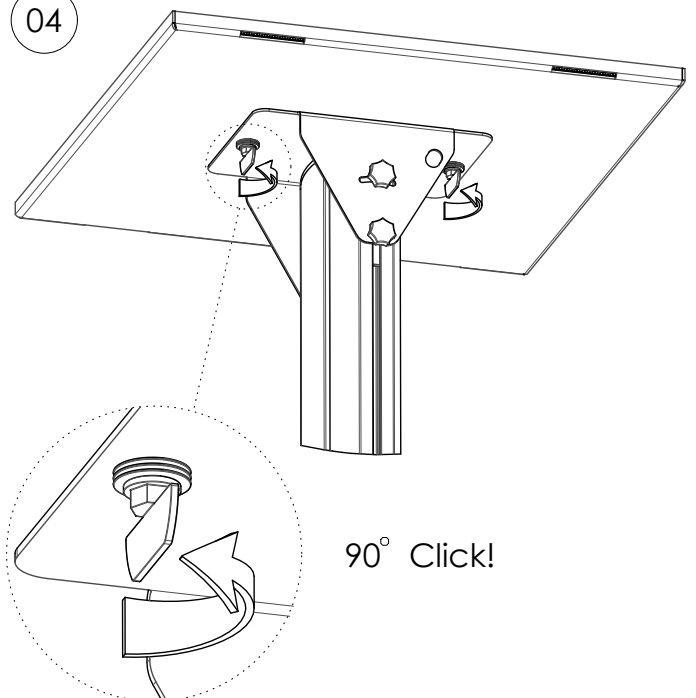


4x Lock!

03



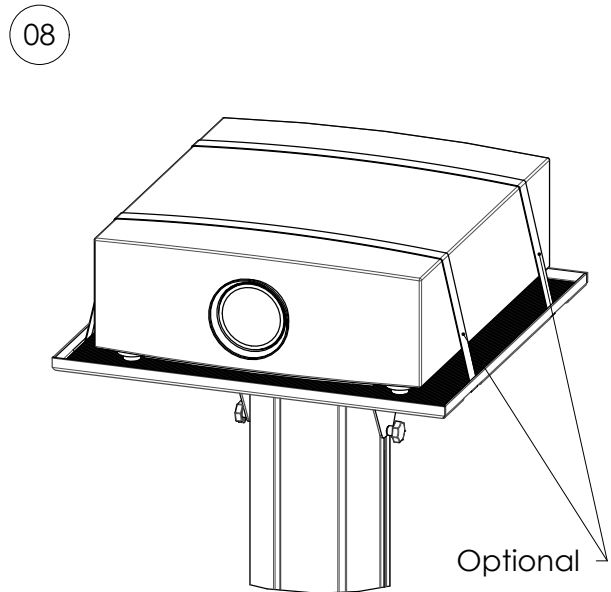
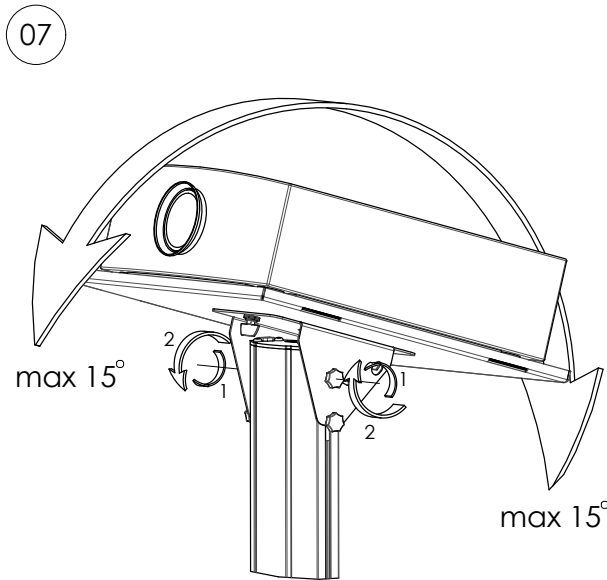
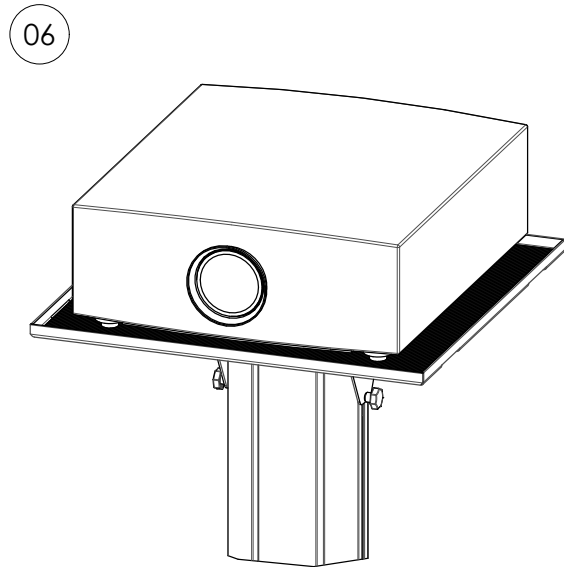
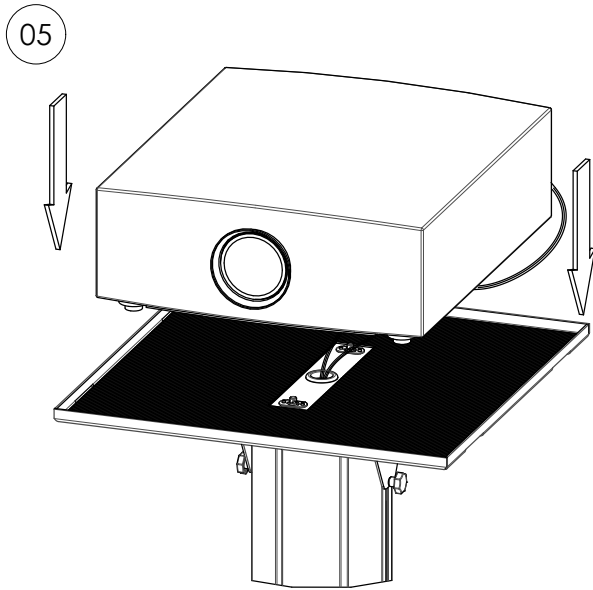
04



90° Click!

MOUNTING INSTRUCTIONS

MOUNTING INSTRUCTIONS



CONTACT

SMARTSELECTOR

Find your solution fast and easy with the mobile SmartSelector. Scan the QR code and find your solutions within 3 steps with the mobile SmartSelector

TRY NOW!

SmartMetals Mounting Solutions B.V.
Handelsweg 4
4231 EZ Meerkerk
The Netherlands
P +31 (0)183352942
F +31 (0)183352909

E info@SmartMetals.eu
W www.SmartMetals.eu

