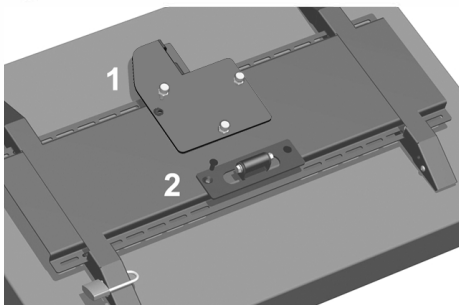


Mounting Instructions

Hoist System Flat Screen Stand 063.0600

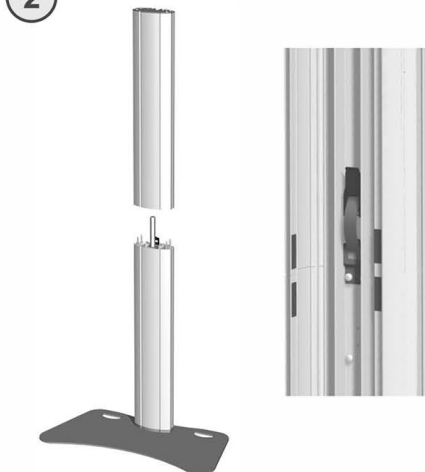
1 Mounting hoisting plate



1) Mount the hoisting plate to the back of the screen bracket. Use the three coupling boxes to mount it to the backplate (see picture).

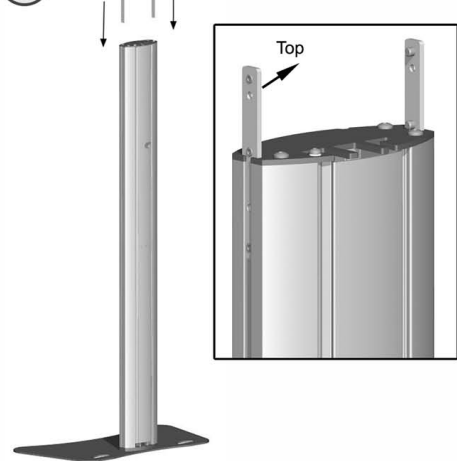
2) When you use a heavy flat screen it's better to mount the roller-bar to the screen bracket. Use the two remaining mounting positions of the screen bracket to mount the roller-bar (2x bolt sunken head M8x16mm). When using the roller-bar it is easier to hoist up the flat screen and prevents bending forward of the screen.

2 Assembling flat screen stand



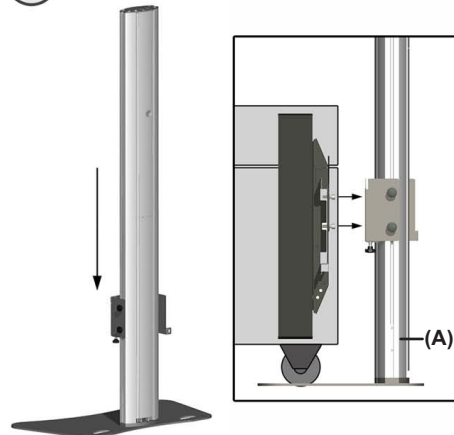
Assemble the flat screen stand (see mounting instructions flat screen stand). Assemble only the column(s) on the floor plate. The head of the stand will be positioned later on.

3 Positioning mounting bars (A)



Slide in both T-ducts of the column a mounting bar. Be sure the right side is on the top (see picture). Slide them carefully down towards the floor plate.

4 Positioning head of stand

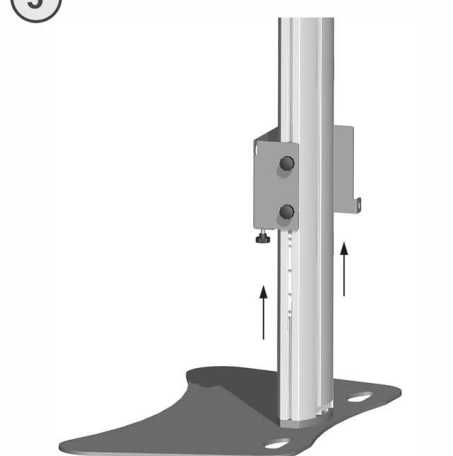


Slide the head of the stand from the top downwards by using the T-ducts on both side of the column. Position the head on the right height. This is the height where the three coupling boxes at the back of the flat screen fit into the slots of the head (when the flat screen is positioned in the flight case). Tight the knobs to fix the head.

Mounting Instructions

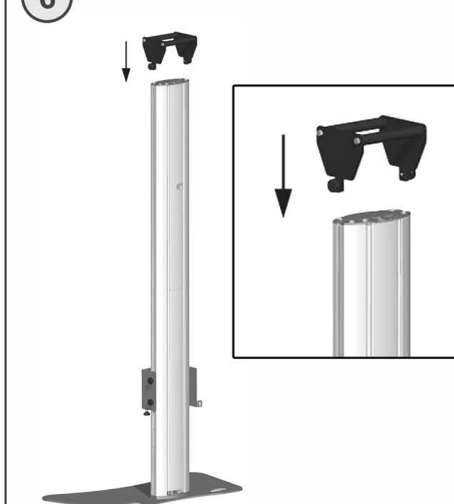
Hoist System Flat Screen Stand 063.0600

5 Fixing mounting bars



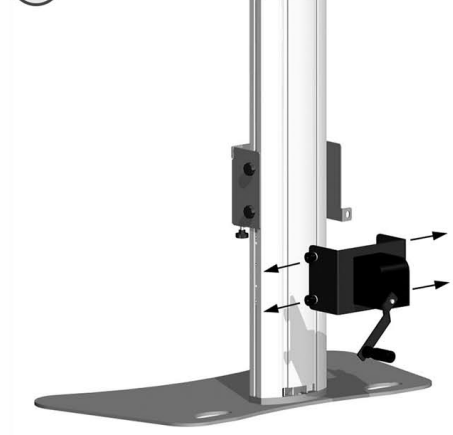
Slide the two mounting bars upwards to the head of the stand (as far as possible). Tight the three bolts to fix each bar.

6 Mounting hoist guide



Slide the hoist guide into the top of the column by using the T-ducts. Tight the knobs to fix the hoist guide.

7 Mounting winch



Pull out the four knobs of the winch bracket. Turn the knobs to fix them in their outer position. Mount the winch to the column by shooting back the knobs into the holes of the mounting bars.

8 Positioning flat screen



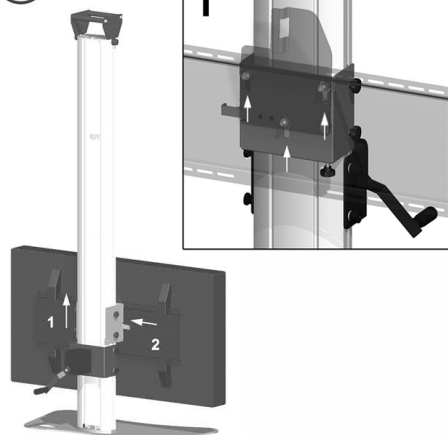
Remove the cover of the flight case. Open the door of the flight case and roll the case towards the flat screen stand. Make sure the three coupling boxes behind the screen fall into the slots of the head of the stand.

Mounting Instructions

Hoist System Flat Screen Stand

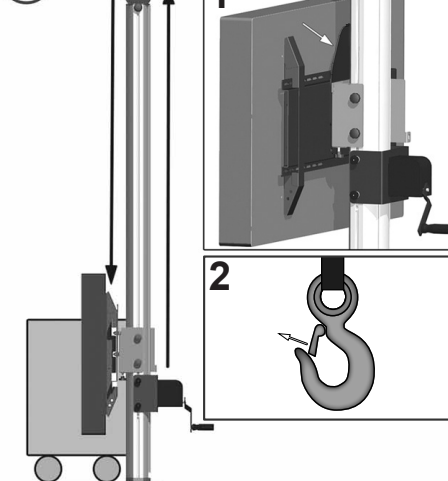
063.0600

9 Securing head of stand



- 1.) Untie the knobs of the head of the stand and slide the head upwards. (the three coupling boxes must slide into the slots)
- 2.) Secure the head of the stand to the lower coupling box by pushing the bolt at the side of the head. (check if the head is secured well to the bracket)

10 Connecting winch strap



- Connect the winch strap to the hoisting plate at the back (1), make sure the hooks safety latch is closed (2) and tighten the strap by using the winch.

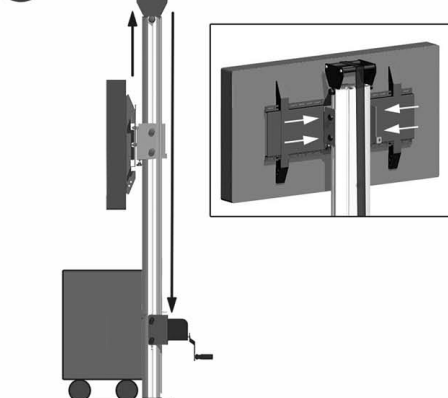
The SmartMetals Hoist System is specifically designed and intended only for hoisting a flat screen from a flight case. The system is not suitable for other purposes or lifting objects other than a flat screen. It is important to follow the instructions carefully and ensure safe use of the system to avoid accidents.

Maximum permitted load: 85Kg

Product only suitable for use in combination with standard product 062.1000 & 062.3000

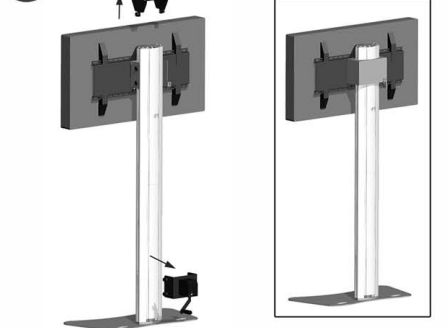


11 Hoisting flat screen



- Hoist up the flat screen out of the flight case to the desired height. Tight the knobs of the head to fix on its position.
(because of gravity the flat screen will hang over to the front. By pulling the flat screen straight it's easier to get fixation of the head)

12 Removing hoist system



- Untie the winch strap by turning back the winch. Unhook the strap. Remove the hoist guide and the winch from the flat screen stand (only the hoisting plate and the mounting bars remain attached to the flat screen stand). After the cables are connected, the head of the stand can be secured with the securing profile and an optional lock (see installation instruction flat screen stand).